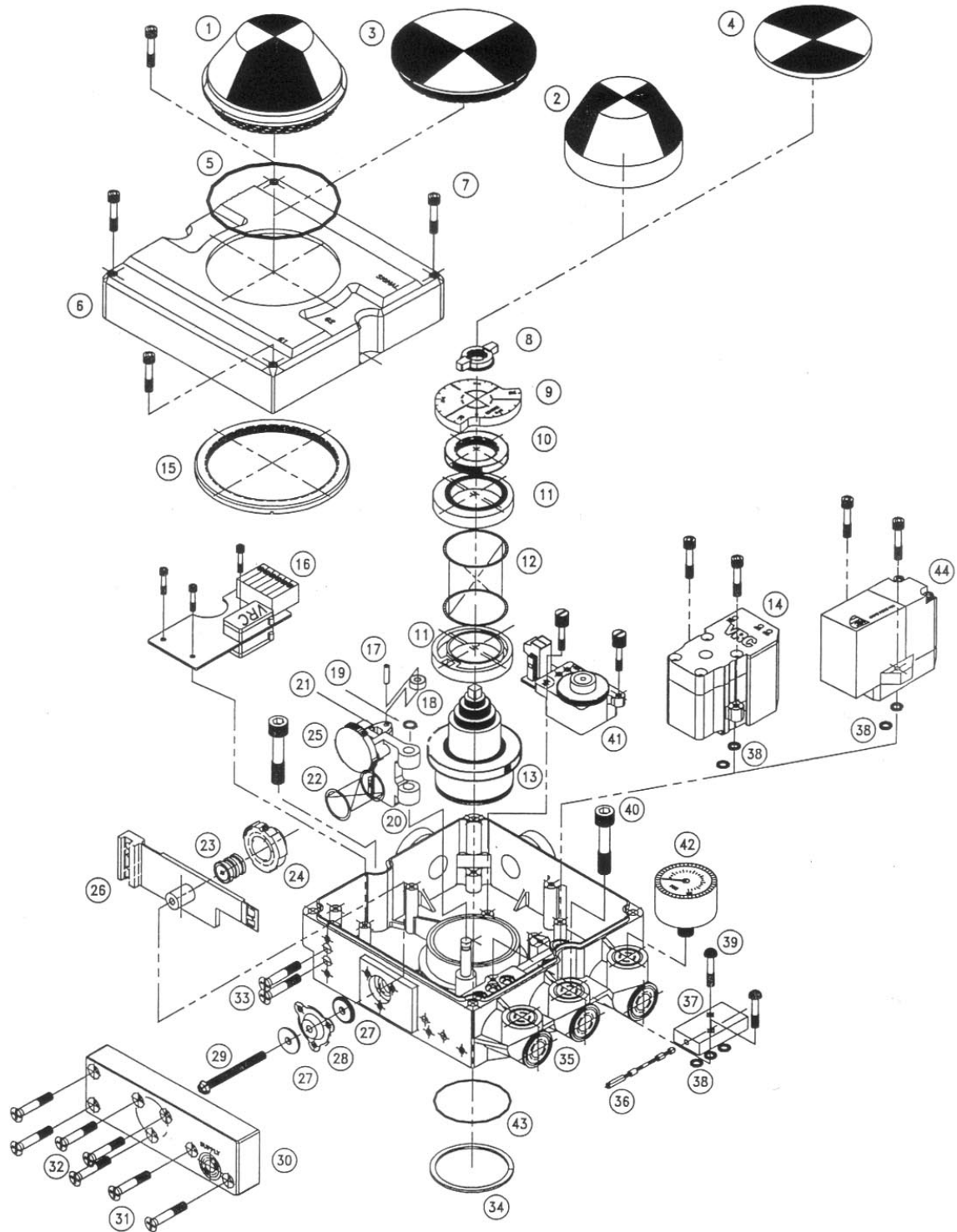


VALVE POSITIONER PARTS LIST

POSITIONER EXPLODED VIEW





VALVE POSITIONER PARTS LIST

POSITIONER EXPLODED VIEW
 PARTS LIST

VIEW NUMBER	PART NUMBER	PART DESCRIPTION	VIEW NUMBER	PART NUMBER	PART DESCRIPTION
①	VA0016	DOMES LENS	②8	V00013	SIGNAL DIAPHRAGM
②	VA0017	DOMES INDICATOR	②9	V20003	DIAPHRAGM SCREW
③	VA0018	FLAT LENS	③0	VA9016	DIAPHRAGM COVER
④	VA0019	FLAT INDICATOR	③1	V20013	COVER SCREW (4)
⑤	V00041	O-RING (2-042-N674)	③2	V20028	COVER SCREW (3)
⑥	VA0020	COVER ASSEMBLY	③3	V20012	BALANCE BEAM SCREW (2)
⑦	V20022	CAPTIVE COVER SCREW (4)	③4	V20004	RETAINING RING
⑧	VM0023	WING NUT	③5	VA9001	POSITIONER HOUSING
⑨	V10014	LINEAR FEEDBACK CAM	③6	V00003	SPOOL VALVE
⑩	V10016	LOCK NUT	③7	V00004	SPOOL VALVE BODY
⑪	V10015	SENSOR CAM	③8	V00016	O-RING 2-010-N674
⑫	V00006	LIMIT SWITCH CAM SPRING	③9	V20011	SPOOL VALVE SCREW (2)
⑬	VM0005	MAIN SHAFT	④0	V20008	MOUNTING BOLT (2)
⑭	VK02	I/P MODULE	④1	VA9021	T1 TRANSMITTER
⑮	V10017	LENS RETAINING RING	④2	V00034	PRESSURE GAUGE
⑯	VA0012	LIMIT SWITCH MODULE	④3	V00044	O-RING 2-028-N674
⑰	V20049	DOWEL PIN	④4	VK12	I/P MODULE (TYPE 22/06) INTRINSICALLY SAFE/NON-INCENDIVE
⑱	V00063	BEARING			
⑲	V20005	SNAP RING			
⑳	VA9007	CAM FOLLOWER ASSEMBLY			
㉑	VA0025	BEARING HOLDER ASSEMBLY			
㉒	V00062	FEEDBACK SPRING			
㉓	VA0026	SPAN CARRIER ASSEMBLY			
㉔	VA0009	SPAN ADJUSTER			
㉕	VA0008	ZERO ADJUSTER			
㉖	VM0006	BALANCE BEAM			
㉗	V10010	WASHER (2)			

RECOMMENDED SPARE PARTS	
PART NUMBER	DESCRIPTION
VA9005	MAIN SHAFT ASSEMBLY
VA9007	CAM FOLLOWER ASSEMBLY
VA9010	SIGNAL DIAPHRAGM ASSEMBLY
VA9016	DIAPHRAGM COVER ASSEMBLY
VM0006	BALANCE BEAM
VK00	SPOOL VALVE ASSEMBLY (STD)
VK02	I/P MODULE KIT
V00016	O-RING 2-010-N674