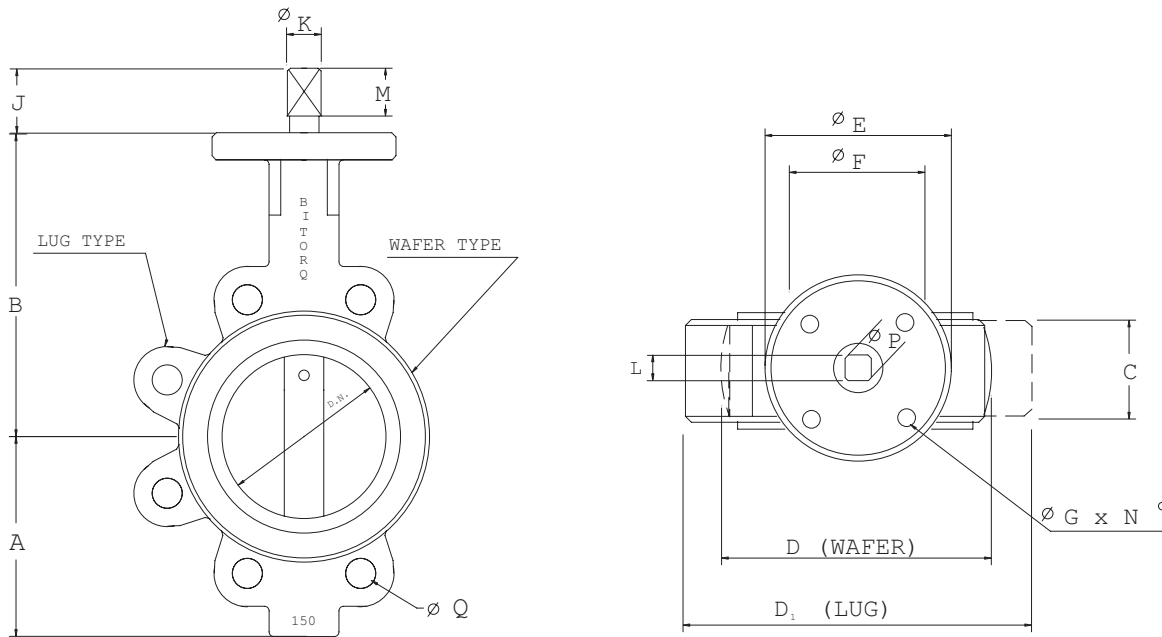


AUTOMATED CAST IRON BUTTERFLY VALVES

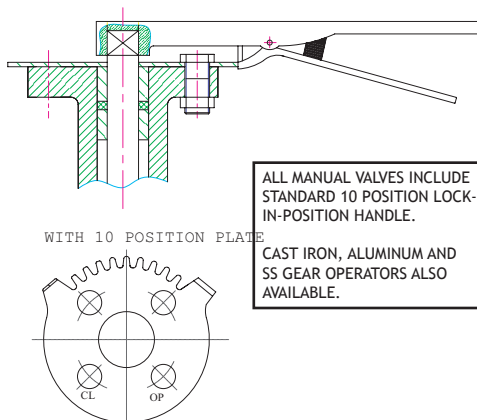


DIMENSIONS

SIZE	ISO	A	B	C	D (WAFFER)	D (LUG)	EØ	FØ	G x No.	J	KØ	L	M	Q (LUG ONLY)	WEIGHT (LBS.) LUG	WEIGHT (LBS.) WAFFER
2"	F07	3.15	6.34	1.69	4.02	5.98	3.54	2.76	0.354 x 4	1.023	0.551	0.433	0.669	4 x 5/8-11	8.4	5.5
2-1/2"	F07	3.50	6.89	1.81	4.76	6.74	3.54	2.76	0.354 x 4	1.023	0.551	0.433	0.669	4 x 5/8-11	9.2	7.0
3"	F07	3.74	7.13	1.81	5.47	7.87	3.54	2.76	0.354 x 4	1.023	0.551	0.433	0.669	4 x 5/8-11	10.3	7.9
4"	F07	4.49	7.87	2.05	6.30	9.02	3.54	2.76	0.354 x 4	1.181	0.709	0.551	0.826	8 x 5/8-11	15.8	10.8
5"	F07	5.00	8.39	2.20	7.48	10.00	3.54	2.76	0.354 x 4	1.181	0.709	0.551	0.826	8 x 3/4-10	21	15.4
6"	F07	5.47	8.90	2.20	8.46	11.02	3.54	2.76	0.354 x 4	1.299	0.866	0.669	0.945	8 x 3/4-10	23	17.2
8"	F07	6.89	10.24	2.36	10.59	13.50	3.54	2.76	0.472 x 4	1.299	0.866	0.669	0.945	8 x 3/4-10	40	29
10"	F10	7.99	11.50	2.68	13.11	15.98	4.92	4.02	0.472 x 4	1.850	1.102	0.866	0.945	12 x 7/8-9	59	42.2
12"	F10	9.53	13.27	3.07	15.08	19.02	4.92	4.02	0.472 x 4	1.850	1.102	0.866	0.945	12 x 7/8-9	88	71.5

OPTIONAL BUTTERFLY VALVES AVAILABLE THROUGH 24". HIGH PERFORMANCE, ALL STAINLESS AND SANITARY VALVES ALSO AVAILABLE.

10 POSITION HANDLE



BILL OF MATERIALS

DESCRIPTION	QTY	MATERIAL
BODY	1	CAST IRON
BOTTOM BUSHING	1	BRONZE
SHAFT	1	316 SS
SEAT	1	EPDM, BUNA, VITON, PTFE
DISC	1	316 SS
TAPER PINS	1-2	316 SS
NAME PLATE	1	316 SS
RIVETS	2	316 SS
TOP BUSHING	1	BRONZE
O-RING	1	EPDM

SPECIFICATIONS

- DESIGNED TO MSS-SP67, API609 STANDARDS
- FLANGE ENDS DESIGNED TO ANSI B16.1, BS4504, DIN 2501
- WORKING PRESSURE:
225 PSI TO 8"
150 PSI 10"-12"
- SHELL TEST:
350 PSI
- SEAL TEST:
250 PSI
- WORKING TEMPERATURE:
EPDM: -30 °F TO +275 °F
BUNA-N: +10 °F TO +180 °F
VITON®: 0 °F TO 350 °F
PTFE: -20 °F TO +275 °F